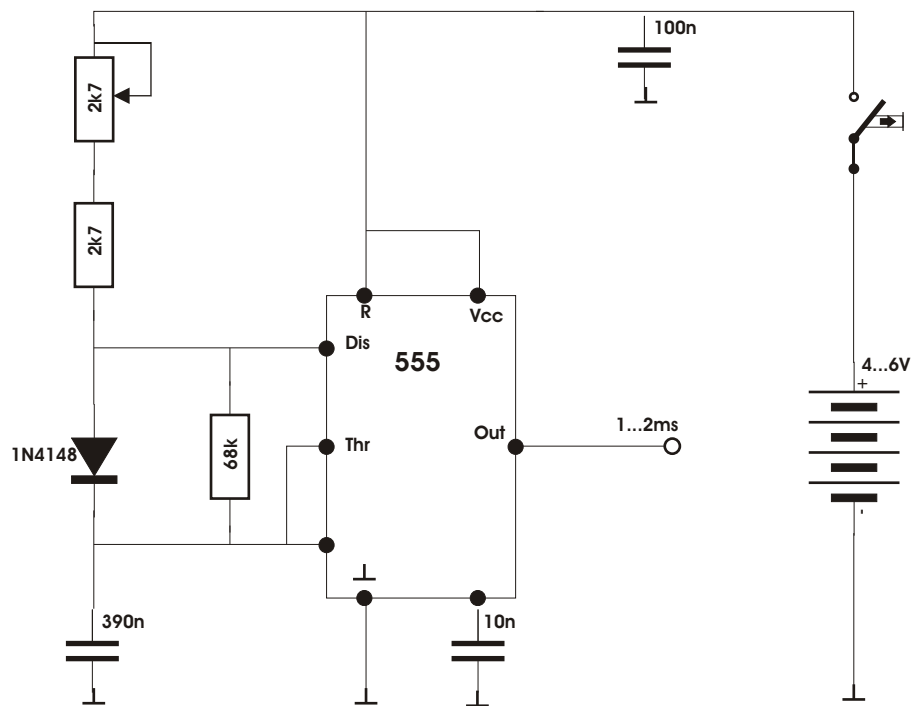


Servo Simulator 1...2ms



G1300